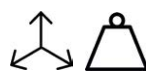
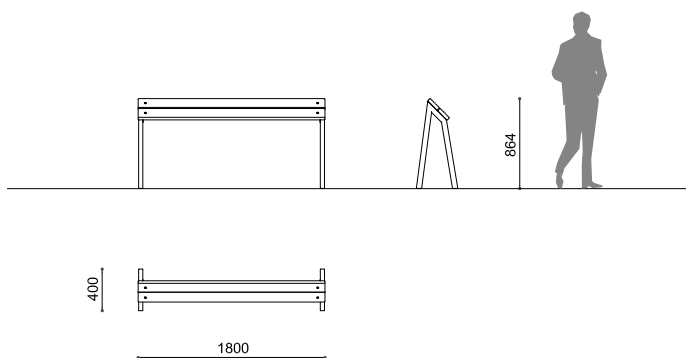




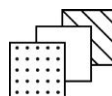
Ischiatic seat consisting of two tubular steel supports 50x40x2 mm and seat with 4 mm thick folded steel sheet frame and 130x32 mm hardwood or thermo-treated pine slats. All metal parts are galvanised and coated with thermosetting polyester powder. The hardwood is treated with water-based pigmented impregnation, while thermo-treated pine is supplied not impregnated (impregnation available as an option). All fixings are in AISI304 stainless steel. Prepared for ground fixing through M10 threaded bars to cement (included).

technical data



1800x400 mm
H 864 mm

CASTEO I W 32 kg
CASTEO I TW 24 kg



Galvanised and powder coated steel
Hard wood
Thermo-treated pine



Prepared for ground fixing through M10 threaded bars to cement (included)



Thermo-treated pine impregnation

